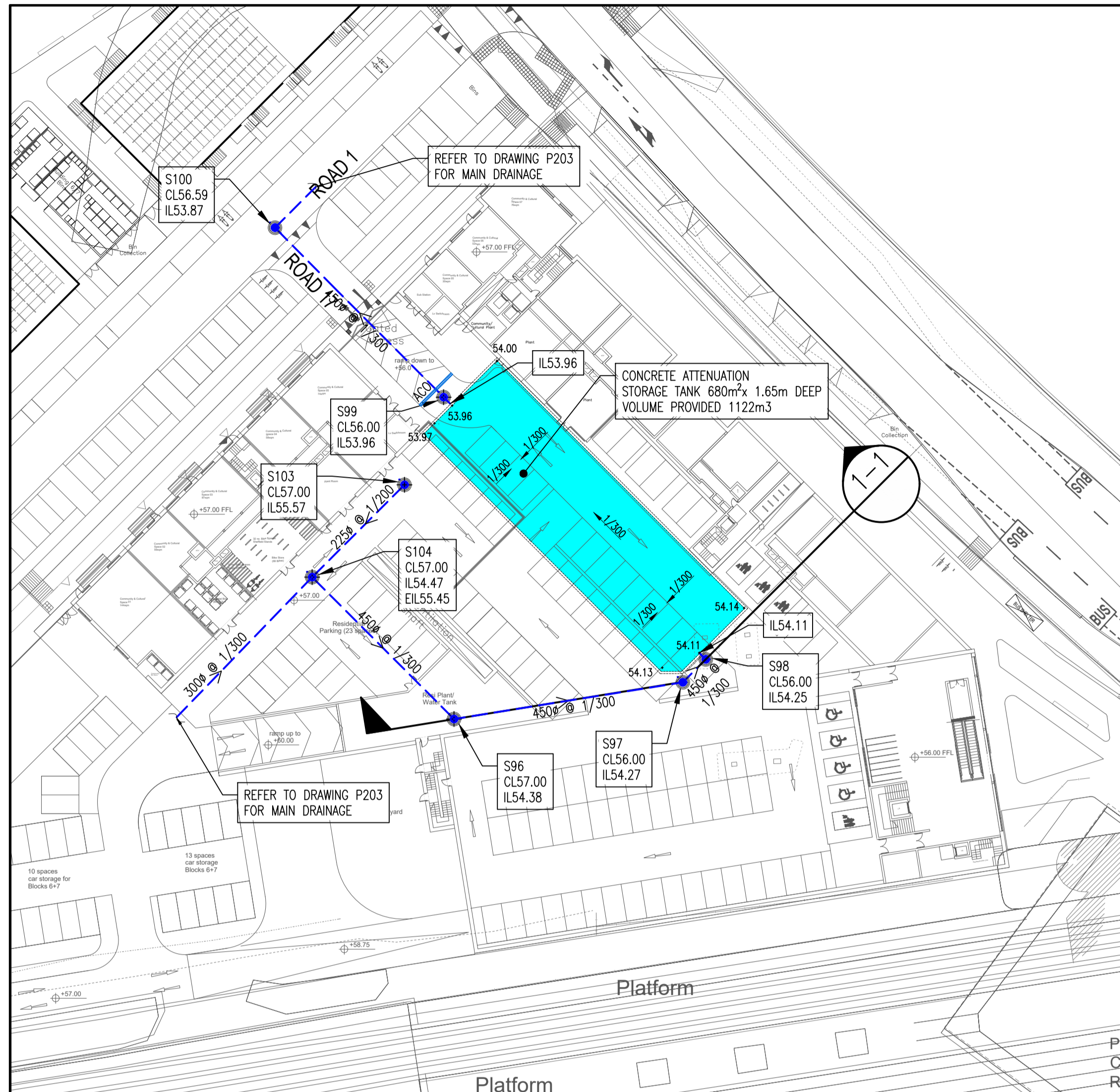
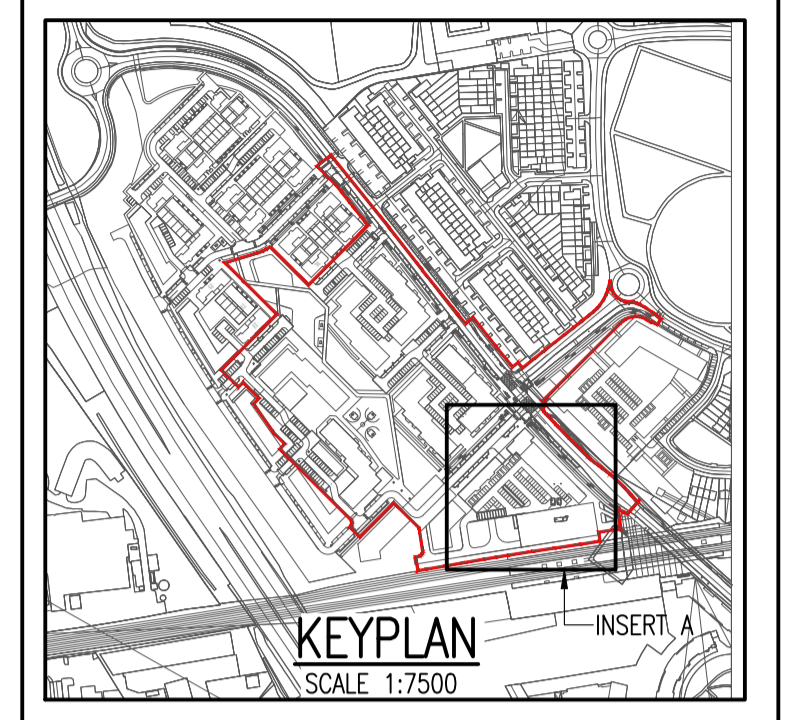
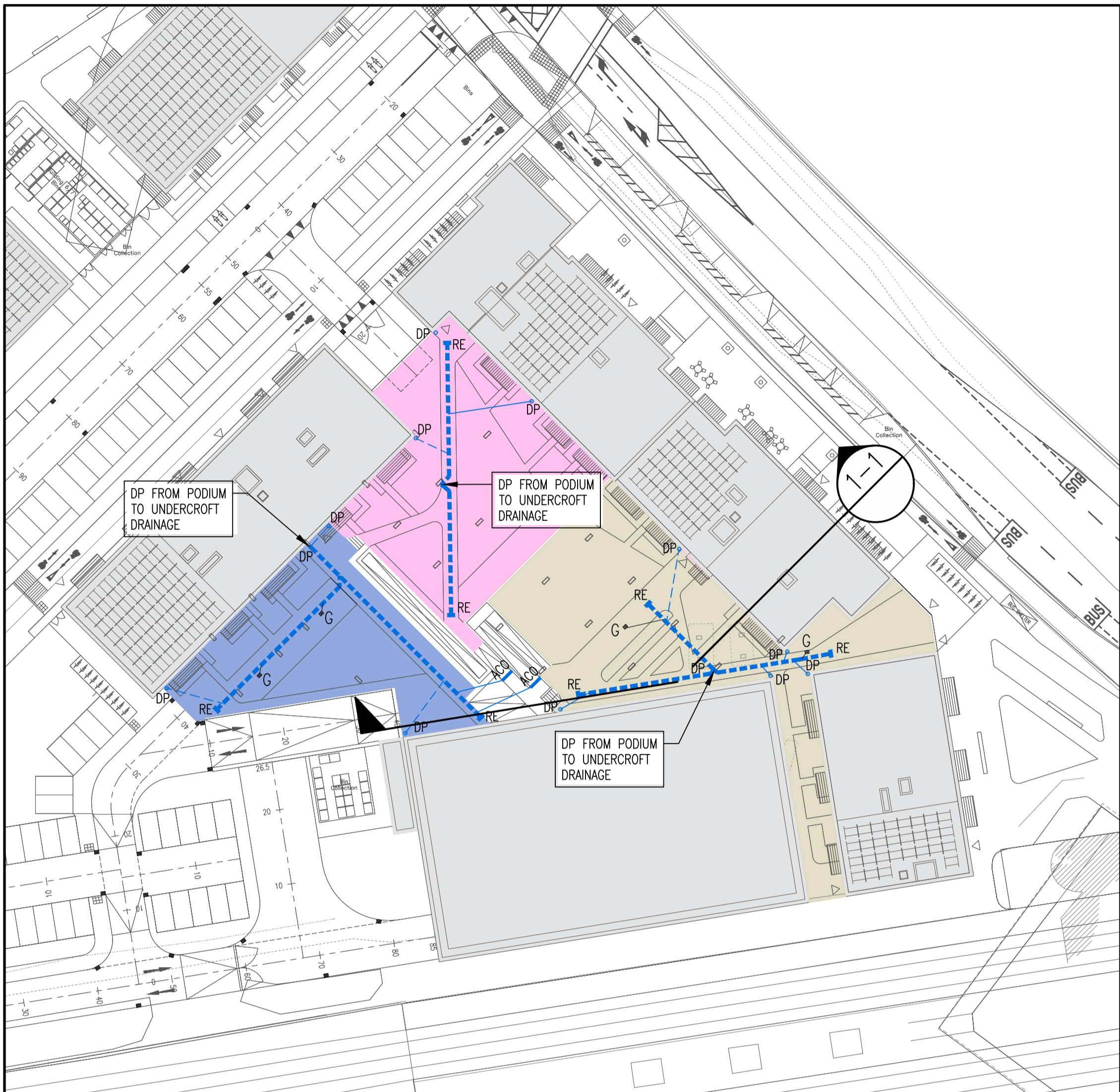


This drawing should not be scaled. Dimensions to be verified on site.
 Any discrepancies should be referred to the Engineer prior to work being put in hand.
 This drawing is the property of Waterman Moylan Consulting Engineers Limited and is
 issued on the condition that it is not copied, reproduced, retained or disclosed to any unauthorized person, either
 wholly or in part without the consent in writing of
 Waterman Moylan Consulting Engineers Limited
 Block 5 East Point Business Park, Dublin D03 H3F4 Ireland t+353 1 664 8900

- NOTES:
- DO NOT SCALE. USE FIGURED DIMENSIONS ONLY.
 - THIS DRAWING IS TO BE READ IN CONJUNCTION WITH ALL OTHER RELEVANT ARCHITECTURAL AND ENGINEERING DRAWINGS.



INSERT A
HIGH DENSITY UNDERCROFT LEVEL
DRAINAGE LAYOUT
 SCALE 1:500



INSERT A
HIGH DENSITY PODIUM LEVEL
DRAINAGE LAYOUT
 SCALE 1:500

LEGEND:

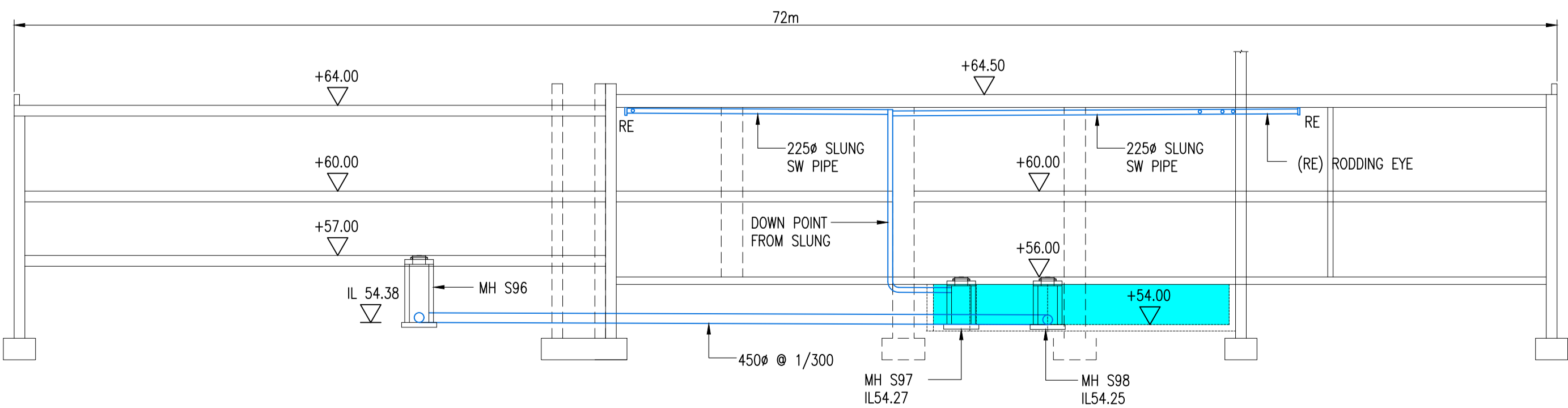
- XXXø @ 1/XXX SX PROPOSED SURFACE WATER NETWORK
- PROPOSED CONCRETE ATTENUATION TANK

PODIUM DRAINAGE LEGEND:

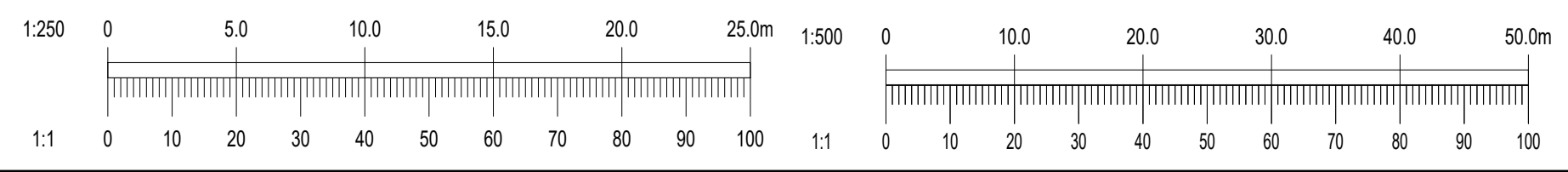
- PROPOSED 225ø SLUNG DRAINAGE
- DP PROPOSED DOWN PIPE & CONNECTION FROM ROOF
- ACO ACO DRAIN & CONNECTION
- RE RODDING EYE
- G PROPOSED GULLY AND CONNECTION

PODIUM LEVELS LEGEND:

- PODIUM LEVEL +64.00m
- PODIUM LEVEL +64.50m
- PODIUM LEVEL +65.25m



SECTION A-A
 SCALE 1:250



Rev	Date	Description	By	Chk
Amendments				

Project
CHERRY ORCHARD POINT

Title
UNDERCROFT & PODIUM DRAINAGE LAYOUT

Client
 LAND DEVELOPMENT AGENCY



BLOCK 5, EASTPOINT BUSINESS PARK, ALFIE BYRNE ROAD,
 DUBLIN D03 H3F4 IRELAND. Tel: (01) 664 8900
 Email: info@waterman-moylan.ie www.waterman-moylan.ie

Status
PLANNING

Designed By	PJD	Approved	IW	Waterman Ref	22-010
Drawn By	PJD	Date	OCT 2023	Scales @ A1	AS SHOWN

Project - Originator - Volume - Level - Type - Role - Number - Revision
COP-WMC-PH1-00-DR-C-P205